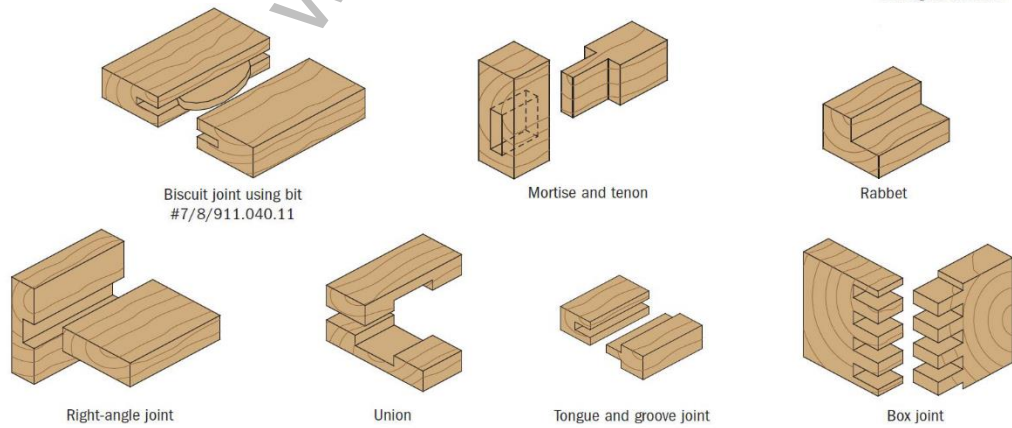
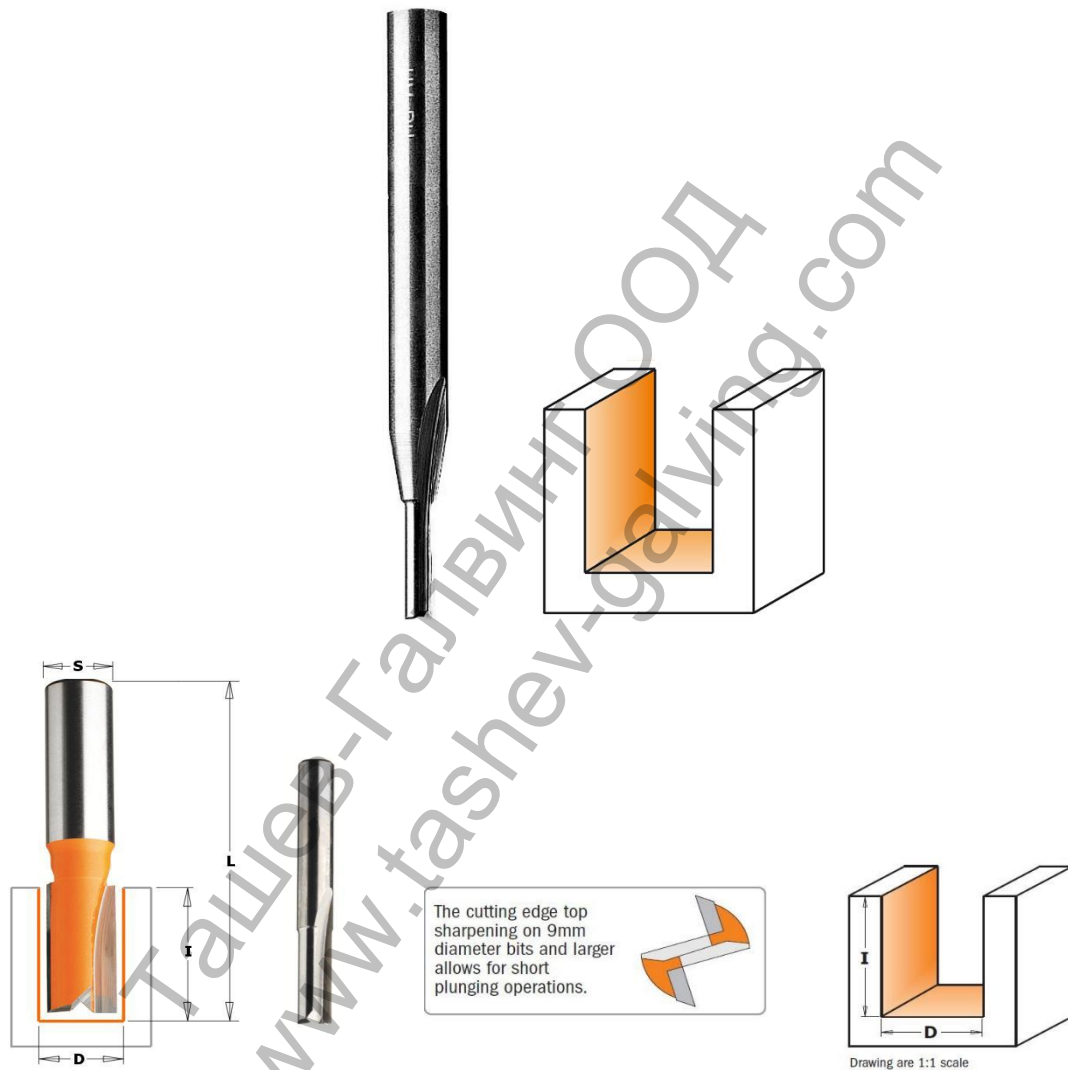


Фрезер СМТ за дърво профилен прав, без лагер ф 3x8/45 мм, ф 8 мм, 911



These razor-sharp, double-faced cutters perfectly synthesize the characteristics and advantages that define quality CMT products. Made of special Fatigue Proof® steel and micrograin carbide, our straight bits can withstand even the heaviest work load and still give you a smooth, precise cut every time. You also get exceptional chip ejection to allow cleaner and more constant cutting.

The surface of all CMT bits is protected with our trademark orange non-stick PTFE to help keep the bit from collecting resin, pitch and other residue.

Every bit is submitted to strict quality tests to guarantee perfect cutting tolerance, balance and concentricity. CMT bits allow production on an industrial scale using a variety of plywood, composites and natural woods.

CMT produces 91 types of straight bits in a wide range of diameters so you can find exactly what you want.



Tungsten carbide

HWM
HWM
pped

Z1

Solid tungsten carbide

Z2

One cutting edge

RH

Two cutting edges

Right-hand rotation

Ташев-Галвинг ООД
www.tashev-galving.com

D mm	I mm	L mm	ORDER NO. S-Ø6mm	ORDER NO. S-Ø6,35mm	ORDER NO. S-Ø8mm	ORDER NO. S-Ø12mm	ORDER NO. S-Ø12,7mm
• 2*	4	38	711.020.11	811.020.11			
• 3	8	45	711.030.11	811.030.11	911.030.11		
• 3	8	58,3				911.530.11	
• 3,2	9,5	45		811.032.11			
• 4	10	58,3				911.540.11	
• 4	10	45	711.040.11	811.040.11	911.040.11		
• 4,75	12,7	50,8		811.047.11			
• 5	12	50,8	711.050.11	811.050.11	911.050.11		
• 5	12	58,3				911.550.11	
• 6	16	50,8	711.060.11	811.060.11	911.060.11		
• 6	19	60,3					811.560.11
• 6	19	65				911.560.11	
• 6,35	19	50,8		811.064.11			
• 6,35	19	57,2		811.065.11			
• 6,35	19	60,3					811.564.11
• 7	18	48	711.070.11	811.070.11	911.070.11		
• 7	18	65				911.570.11	
• 7,6	20	51			911.076.11		
• 8	20	48	711.080.11	811.080.11	911.080.11		
• 8	25,4	71,5		811.081.11			
• 8	25,4	70					811.581.11
9	20	48	711.090.11		911.090.11		
9,5	19	50,8		811.095.11			
9,5	25,4	63,5		811.096.11			
9,5	25,4	66,7					811.595.11
10	20	48	711.100.11	811.100.11	911.100.11		
10	25,4	63,5					811.600.11
11	20	48	711.110.11		911.110.11		
12	20	50	711.120.11	811.120.11	911.120.11		
12	25,4	63,5				911.620.11	811.620.11
12,3	25,4	57,2		811.123.11			
12,3	25,4	63,5					811.623.11
12,7	19	57,2		811.127.11			
12,7	25,4	66,7					811.627.11
12,7	31,7	82,5					811.628.11
13	20	57	711.130.11		911.130.11		
14	20	50	711.140.11	811.140.11	911.140.11		
14,2	14,2	57,2		811.142.11			
15	20	57,2	711.150.11	811.150.11	911.150.11		
15,8	19	66,7		811.158.11			
15,8	25,4	63,5					811.660.11
16	20	57,2	711.160.11	811.160.11	911.160.11		
16	25,4	63,5					811.661.11
17	20	50	711.170.11				
18	20	50	711.180.11	811.180.11	911.180.11		
18,2	25,4	57,2		811.182.11			
18,2	25,4	63,5					811.682.11
19	20	57,2	711.190.11	811.191.11	911.190.11		
19	25,4	63,5					811.690.11
20	20	50	711.200.11	811.200.11	911.200.11		
22	20	57,2	711.220.11	811.220.11	911.220.11		
24	20	50	711.240.11		911.240.11		
25	20	50	711.250.11		911.250.11		
25,4	19	50,8		811.254.11			
25,4	31,7	76,2					811.754.11
28,5	31,7	76,2					811.785.11

• HWM
• 71

Продукт: [Фрезер CMT за дърво профилен прав, без лагер ф 3x8/45 мм, ф 8 мм, 911](#)

Категория: [Консумативи за фрези и обертфрези](#)

Бранд: [CMT](#)

Категория бранд: [Фрезер CMT](#)